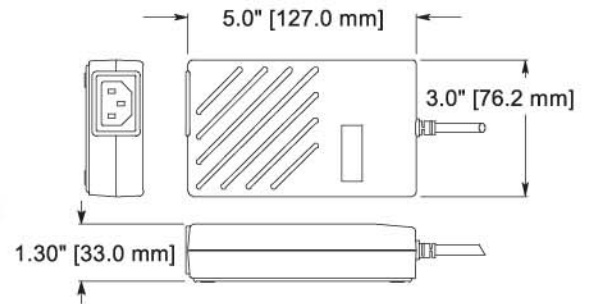


FWC 50 Series

50 Watt Power Supply

- Wide Range AC Input
- Fully Regulated DC Output
- High Efficiency
- Output Grounded
- CEC Compliant
- RoHS Compliant
- 5 Year Warranty



SPECIFICATIONS

INPUT

Voltage	85 - 264 VAC
Current	1.0 Amp @ 100 VAC
Frequency	47 - 63 Hz
AC cord	Optional
Input connector	3 Pin IEC 320 input receptacle

OUTPUT

Total regulation	<+/- 5%
Set point accuracy	<+/- 3% at 60% load
Hold up time	17 ms min at full load, 115 VAC
Over voltage protection	Built-in
Over current protection	Built-in
Short circuit protection	Pulsing mode, auto recovery
Ripple/noise (Vp-p)	<1% (20 MHz bandwidth)
Output connector	Barrel type (5.5 x 2.5 x 9.5 mm)

POLARITY



ENVIRONMENTAL

Operating temperature	0° C to 40° C
Storage temperature	-55° C to 85° C
Weight	0.75 lbs

SAFETY

cTUVus
UL 60950-1
CSA C22.2 No.60950-1
CB per IEC 60950-1
CE marked to LVD and EMC
Class I

EMC

Emissions	EN55022 and FCC Part 15, Class B. Conducted and Radiated. EN61000-3-2, -3
Immunity	EN61000-4-2, -3, -4, -5, -6, -11

Model No.	Volt	Power	Current	Eff @ 115VAC (Typ)
FWC5012-760F	12V	50W	4.15A	83%
FWC5018-760F	18V	50W	2.75A	85%
FWC5024-760F	24V	50W	2.10A	87%